

## Clamping Arms

with Threaded Hole, for Swing Clamps GN 875 / GN 876

### SPECIFICATION

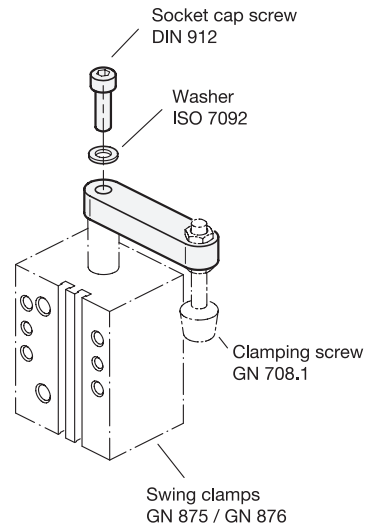
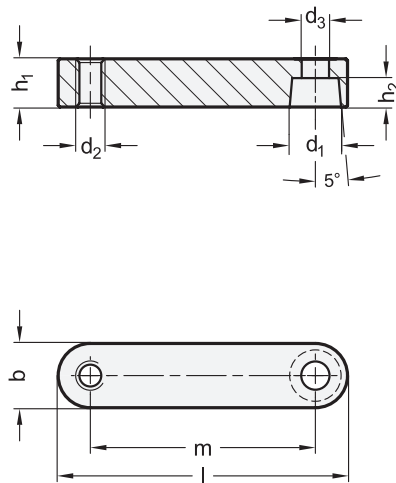
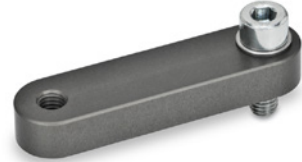
Aluminum **AL**  
 Hard anodized **HE**  
 Wear-resistant surface  
 Socket cap screw DIN 912  
 Steel, zinc plated, blue passivated  
 Washer ISO 7092  
 Steel, zinc plated, blue passivated

### INFORMATION

Clamping arms GN 875.3 with threaded hole designed as accessories to swing clamps GN 875 (see page) / GN 876 (see page). The thread can receive an application-specific clamping bolt. The angle orientation of the clamping arm can be set arbitrarily during mounting on the swing clamp. When tightening the screw, the piston rod must not experience any torque. The clamping arm must therefore be held to prevent twisting. Included are a socket cap screw DIN 912 and a washer ISO 7092 for fastening to the swing clamp.

### ACCESSORY

- Clamping Screws GN 708.1 (see page 1625)



### GN 875.3

Description	For swing clamps Size	$d_1$	$m$	$b$	$d_2$	$d_3$	$h_1$	$h_2$	$l$	$\frac{l}{b}$
GN 875.3-AL-8-41-HE	16	8	41	12.5	M 4	5.5	9	5.5	53.5	20
GN 875.3-AL-12-48-HE	20	12	48	17	M 5	8.5	10	5.5	65	38
GN 875.3-AL-14-50-HE	25	14	50	18	M 6	8.5	10	6.5	68	48
GN 875.3-AL-16-60-HE	32	16	60	20	M 8	8.5	12	9	80	58
GN 875.3-AL-16-70-HE	40	16	70	20	M 8	8.5	15	9	90	77
GN 875.3-AL-20-80-HE	50	20	80	25	M 10	10.5	16	10	105	123
GN 875.3-AL-20-90-HE	63	20	90	25	M 10	10.5	18	10	115	150